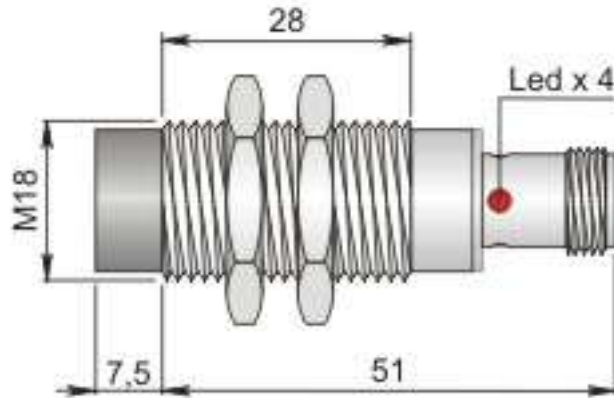


CODE : **I18000135** DESCRIPTION : **SI18-DCE16 PNP NO+NC H S**



KEY: ■ Standard switching distance ★ Extended switching distance ▲ Embeddable ● Not embeddable

TECHNICAL CHARACTERISTICS

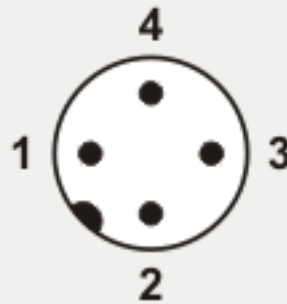
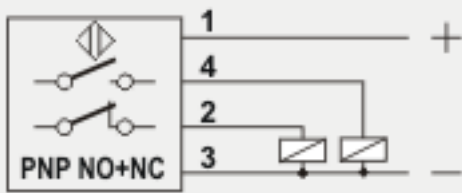
POWER SUPPLY	DIRECT CURRENT
WORKING VOLTAGE	10 ÷ 30 V
SWITCHING DISTANCE (Sn)	16 mm
OUTPUT LOGIC	PNP
OUTPUT TYPE	NO+NC
HYSTERESIS (% Sn)	< 10%
MAX SWITCHING FREQUENCY	200 Hz
REPEATABILITY (% Sn)	<= 3
MAX OUTPUT CURRENT	200 mA
ABSORPTION	< 15 mA @ 24Vdc
VOLTAGE DROP	< 1.8 V
SHORT CIRCUIT PROTECTION	PRESENT
LED	PRESENT
TEMPERATURE LIMITS	-25 ÷ +70 °C
IP RATING	DEPENDING ON CONNECTOR
HOUSING MATERIAL	STAINLESS STEEL
MECHANICAL CHARACTERISTICS	M18x1
CONNECTION TYPE	H PLUG
WEIGHT	60 g



CODE : **I18000135** DESCRIPTION : **SI18-DCE16 PNP NO+NC H S**

NORME DI INSTALLAZIONE

CONNECTION WITH H PLUG

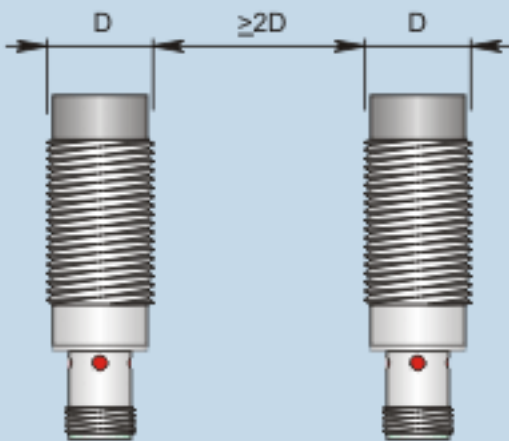


VIEW OF MALE CONNECTOR

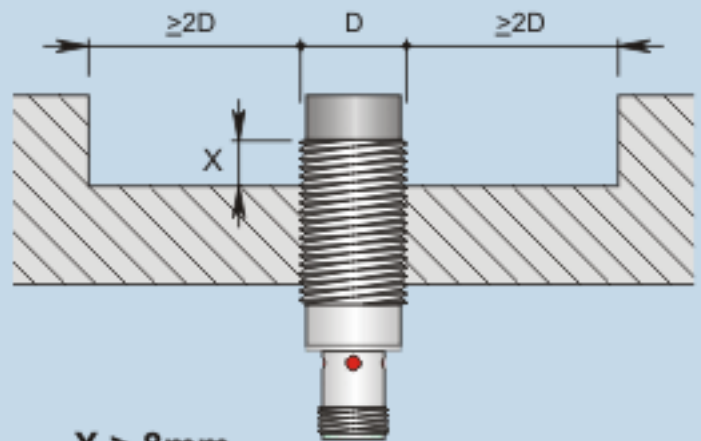
- 1 = Brown / +
- 3 = Blue / -
- 4 = Black / output NO
- 2 = White / output NC

INSTRUCTIONS FOR CORRECT INSTALLATION

NOT EMBEDDABLE



Side by side mounting



Non flush mounting